


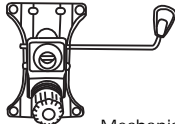

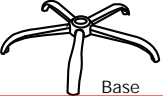










Yz403椅子组装说明书

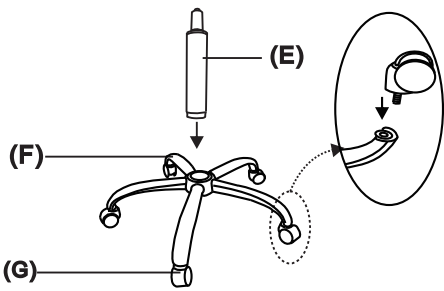


AX1  Backrest	BX1  Seat Cushion	CX1(L)X(R)  Armrest	DX1  Mechanism	EX1  Gas Lift
FX1  Base	Gx5  Wheels	Hx4  Screw	Ix4  Screw	Jx4  Screw
Kx4  Gasket	Lx8  Gasket	Mx4  Plastic Blank Caps	Nx1  L shape wrench	

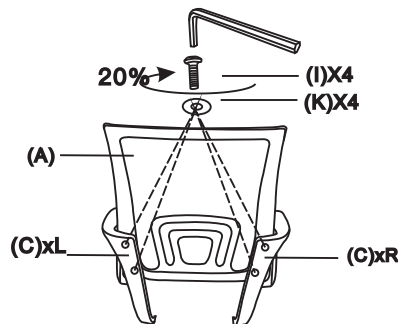
第一步：把轮子和气杆装进脚里（如图）

第二步：把扶手固定在椅子上

第三步：扶手和椅子底部固定住

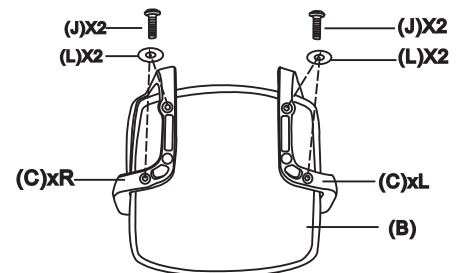


Step 1: Installing Gas Lift and Wheels to Base



Step 2: Installing Armrest to Backrest

Connect armrest(C) to the backrest using 4 screws(I) and gaskets(K)



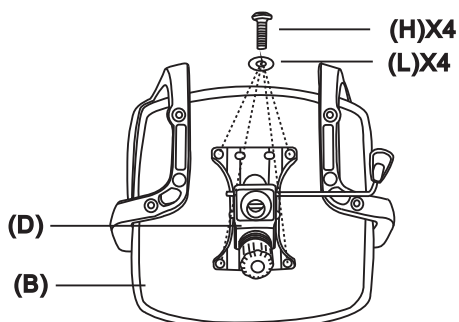
Step 3: Installing Armrest to Seat Cushion

Connect armrest(C) to the seat cushion(B) using 4 pcs screws(J) and gaskets(L)

第四步：用螺丝把托盘固定到椅子底部

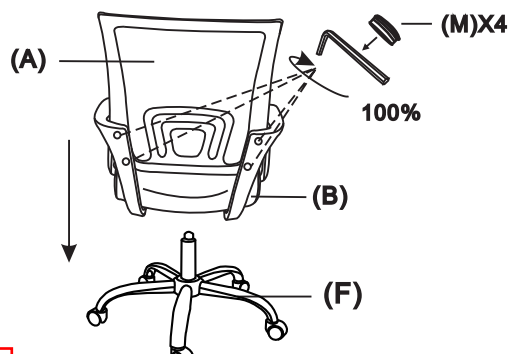
第五步：盖上闷盖，把椅子上部放到气杆上

第六步：安装完成



Step 4: Installing the Mechanism

Connect mechanism(D) to the seat cushion using 4 screwS(H) and gaskets(L)



Step 5: Installing the Chair Body on the Gas Lift(E)

Put the plastic blank caps(M) and connect the chair to the base(F) through gas lift(E).



取消第六步，直接将完成图放在第五步。